

TLG-Series

ROCKER SWITCHES

The TLG-Series Mid-Sized Tippet snap-in rocker switches are single pole, rocker or paddle actuated with an adjacent indicator light. These single-actuator-switches are AC rated to 20 amps and are also suitable for low voltage DC applications.



Product Highlights:

- Maintained or Momentary Circuitry
- Rocker Paddle or mixed Rocker/Paddle actuators
- Illuminated or Non-Illuminated
- Integrated wire lead construction

Typical Applications:

- Appliance
- HVAC
- Food Service
- Transportation



Dielectric Strength

UL/CSA:
1000V - live to dead metal parts

Electrical Life

50,000 cycles - maintained
25,000 cycles - momentary

Operating Temperature

32°F to 185°F (0°C to 85°C)

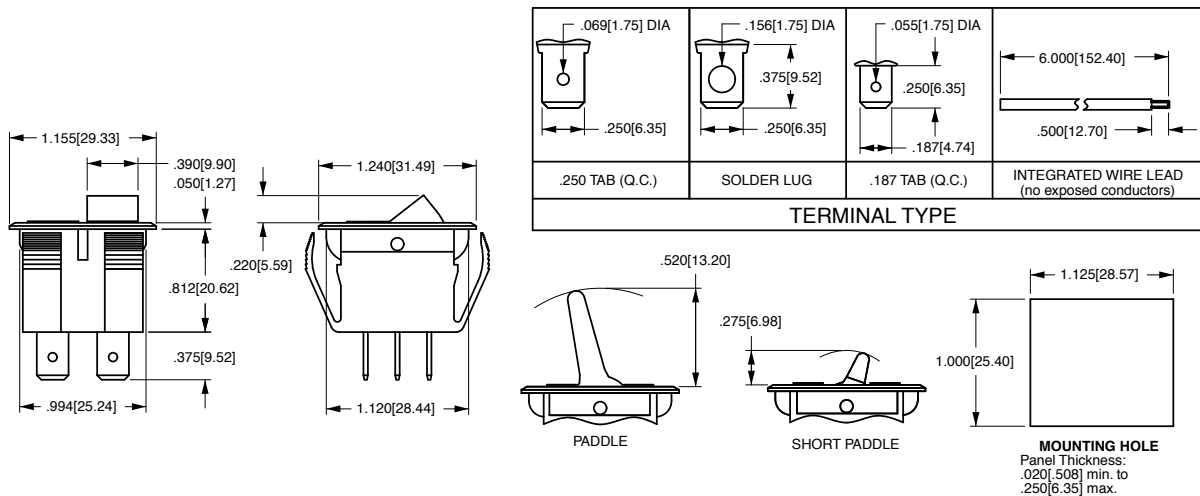
TLG **G** - **D** **R** - **TA** **20** **1** - **T** **B** - **B** / **125N**

1 Base Part Number 2 Circuit 3 Lens Design 4 Lens Color 5 Center Position 6 Rating 7 Termination 8 Actuator Style 9 Actuator Color 10 Base Color 11 Lens Color 12 Lamp Voltage

1 BASE PART NUMBER: SERIES					
TLG	Single Pole with adjacent Indicator Light				
2 CIRCUIT ⁴					
See Circuit Designation Chart.					
3 LENS DESIGN					
D	Diamond				
L	Long Line				
4 LENS COLOR					
A	Amber	G	Green	W	White
C	Clear	R	Red		
5 BASIC SWITCH NUMBER					
TA	On-None-Off		TC	On-Off-On	
TB	On-None-On		LTA	On-None-Off, Lighted	
6 RATING					
10	5A 250VAC, 10A 125VAC, 1/2HP 125-250VAC				
11	5A 250VAC, 10A 125VAC, 5A 125VAC L				
20	10A 250VAC, 15A 125VAC, 3/4HP 125-250VAC				
21	10A 250VAC, 15A 125VAC				
22	10A 250VAC, 15A 125VAC, 20A 125-250VAC H, 3/4HP 125-250VAC				
7 TERMINATION / FUNCTION					
	Solder Lug	.250 Tab QC	.187 Tab QC	Wire Leads	
On-None-Off	0	1	3	5	
(On)-None-Off	A	B	3	5	
On-None-(Off)	L	M	R	T	
On-None-On	0	1	3	5	
On-None-(On)	A	B	3	5	
On-Off-On	0	1	3	5	

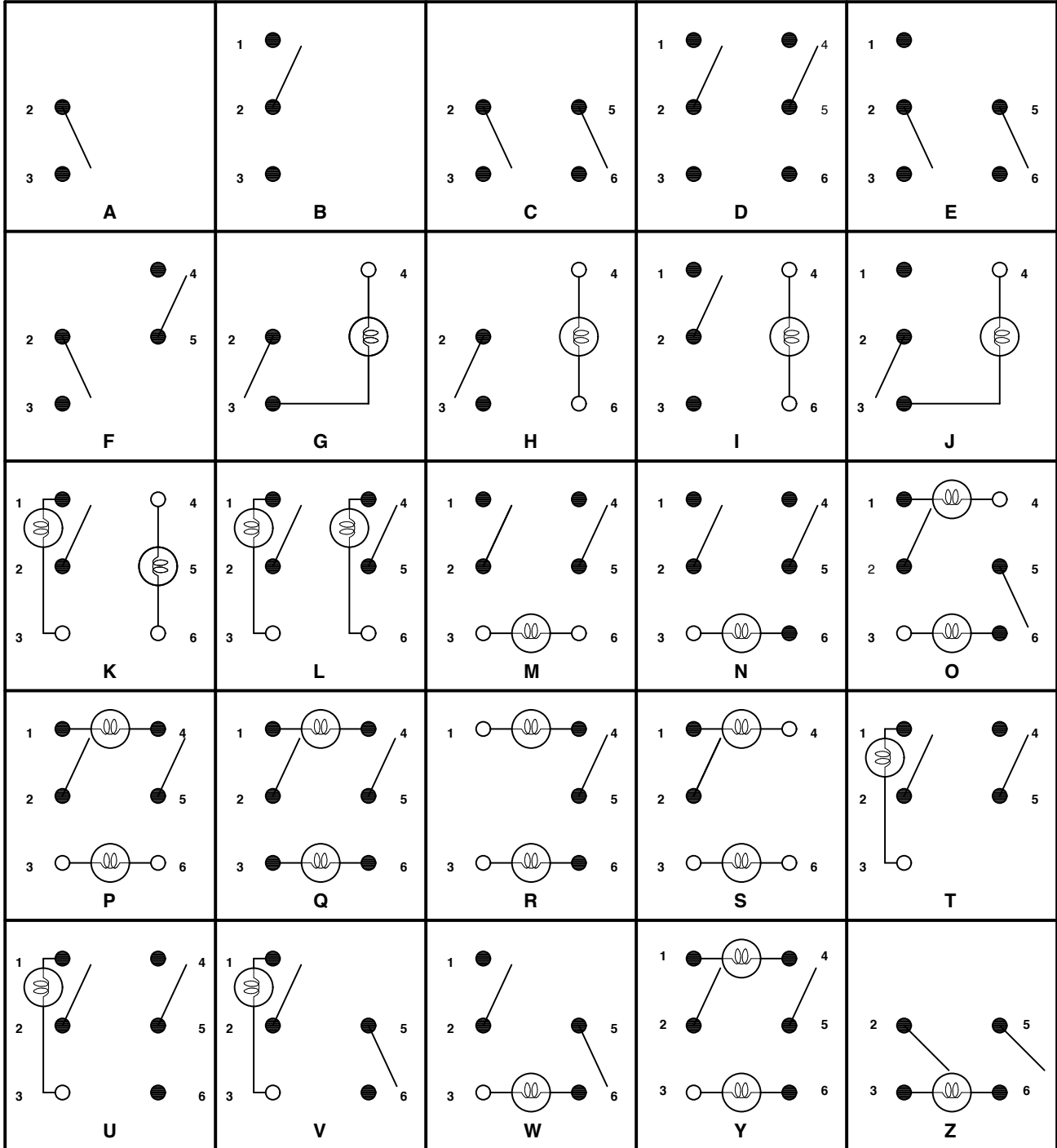
8 ACTUATOR STYLE ²		PS	Short Paddle
P	Paddle	T	Rocker
9 ACTUATOR COLOR		lighted	
unlighted ²		A	Amber
B	Black	C	Clear
W	White	G	Green
		LU	Blue
		R	Red
10 BASE COLOR ²		B	Black
		W	White
11 LENS COLOR ^{1,3}		A	Amber
C	Clear	G	Green
		LU	Blue
		R	Red
		W	White
12 LAMP VOLTAGE ¹		neon	
incandescent		6V	6 volt
12V	12 volt	125N	125 volt neon
18V	18 volt	250N	250 volt neon
24V	24 volt		
28V	28 volt		

Notes:
Imprinting is available. Consult factory.
Panel Cut-Out Recommendations: For sheet metal panels, switch must enter panel in same direction as the punch. (Burr on bottom.) Test cut hole in actual material.
1 Neon Lamps not recommended with green or blue actuators and lenses.
2 Custom colors are available. Consult factory.
3 Specify lens color only if actuator is lighted paddle.
4 Available with circuits G, H, I, J, K only.
() Indicates momentary function.



*Manufacturer reserves the right to change product specification without prior notice.

Circuit Designation Chart:



● CONTACT TERMINAL
Will make contact with switching lever

○ ISOLATED TERMINAL
Does not make contact with switching lever

● CONTACT TERMINAL AND SWITCH LEVER

○ BULB